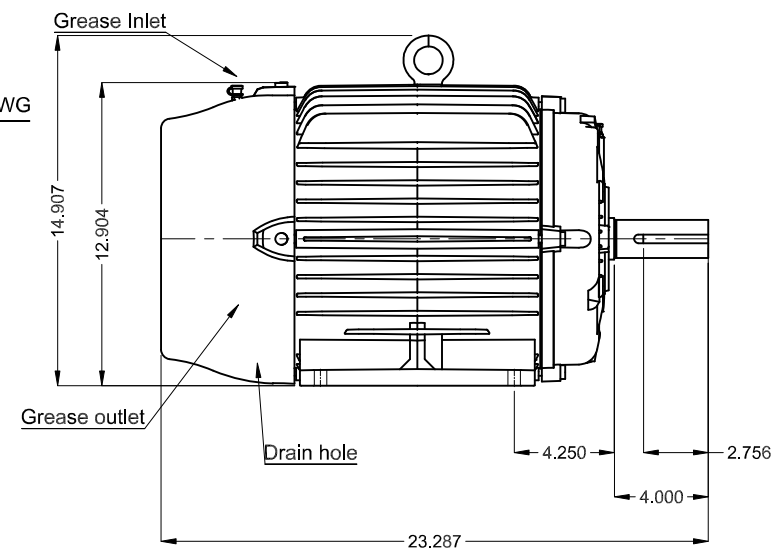
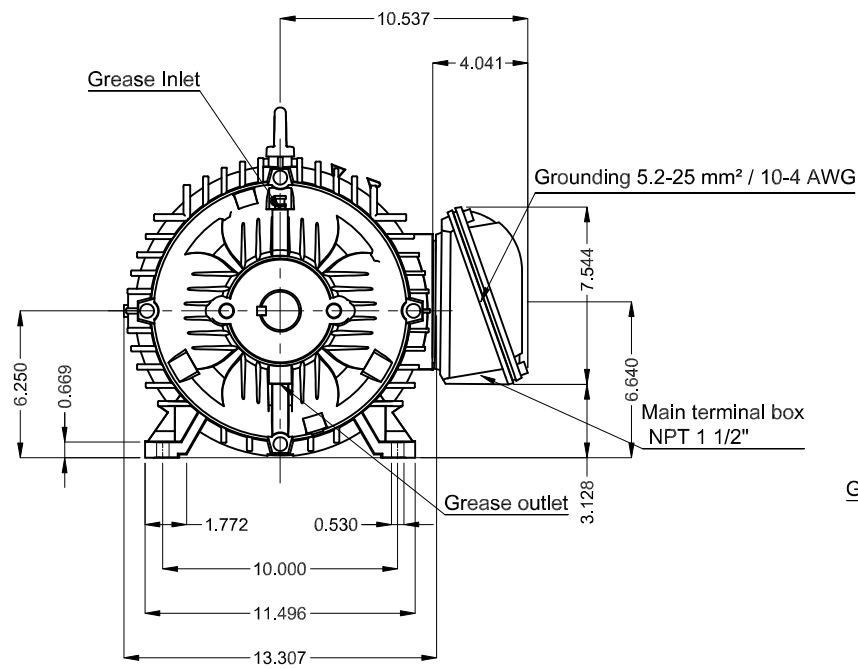
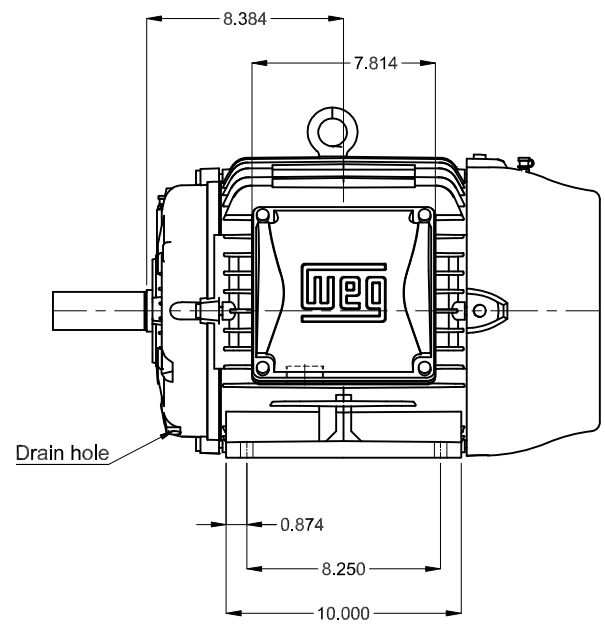


DATA SHEET

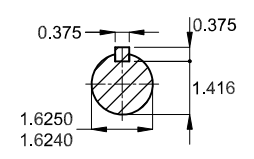


Three Phase Induction Motor - Squirrel Cage

Customer :						
Product line		: W22 NEMA Premium Efficiency Three-Phase		Product code :		11573136
				Catalog # :		01536ET3H254TF2-W22
Frame : 254T Output : 15 HP (11 kW) Poles : 2 Frequency : 60 Hz Rated voltage : 575 V Rated current : 13.8 A L. R. Amperes : 92.2 A LRC : 6.7x(Code G) No load current : 4.24 A Rated speed : 3530 rpm Slip : 1.94 % Rated torque : 22.3 ft.lb Locked rotor torque : 220 % Breakdown torque : 270 % Insulation class : F Service factor : 1.25 Moment of inertia (J) : 1.26 sq.ft.lb Design : B			Locked rotor time : 45s (cold) 25s (hot) Temperature rise : 80 K Duty cycle : Cont.(S1) Ambient temperature : -20°C to +40°C Altitude : 1000 m.a.s.l. Protection degree : IP55 Cooling method : IC411 - TEFC Mounting : F-2 Rotation ¹ : Both (CW and CCW) Noise level ² : 72.0 dB(A) Starting method : Direct On Line Approx. weight ³ : 249 lb			
Output		25%	50%	75%	100%	Foundation loads
Efficiency (%)		89.2	89.5	91.0	91.0	Max. traction : 164 lb
Power Factor		0.53	0.77	0.85	0.88	Max. compression : 413 lb
Losses at normative operating points (speed;torque), in percentage of rated output power						
P1 (0,9;1,0)	P2 (0,5;1,0)	P3 (0,25;1,0)	P4 (0,9;0,5)	P5 (0,5;0,5)	P6 (0,5;0,25)	P7 (0,25;0,25)
9.4	7.5	6.8	4.8	2.8	1.8	1.1
			<u>Drive end</u>	<u>Non drive end</u>		
Bearing type		: 6309 C3		: 6209 C3		
Sealing		: V'Ring		: V'Ring		
Lubrication interval		: 19000 h		: 20000 h		
Lubricant amount		: 13 g		: 9 g		
Lubricant type		: Mobil Polyrex EM				
Notes						
This revision replaces and cancel the previous one, which must be eliminated. (1) Looking the motor from the shaft end. (2) Measured at 1m and with tolerance of +3dB(A). (3) Approximate weight subject to changes after manufacturing process. (4) At 100% of full load.				These are average values based on tests with sinusoidal power supply, subject to the tolerances stipulated in NEMA MG-1.		
Rev.	Changes Summary			Performed	Checked	Date
Performed by						
Checked by					Page	Revision
Date	25/02/2025				1 / 1	



DE Shaft End



Color RAL 5009
 Painting plan 203A
 Mounting B3L(E)

15 HP 02 Poles 60 Hz A

Scale 1 : 8

ECM	LOC		SUMMARY OF MODIFICATIONS THREE PH. MOTOR W22 NEMA PREM. EFF. FRAME 254T IP55 TEFC	HYBRISUSER					00
EXECUTED	HYBRISUSER			EXECUTED	CHECKED	RELEASED	DATE	VER	
CHECKED				PREVIEW		WDD	00		
RELEASED				SHEET 1 / 1					
REL. DATE									